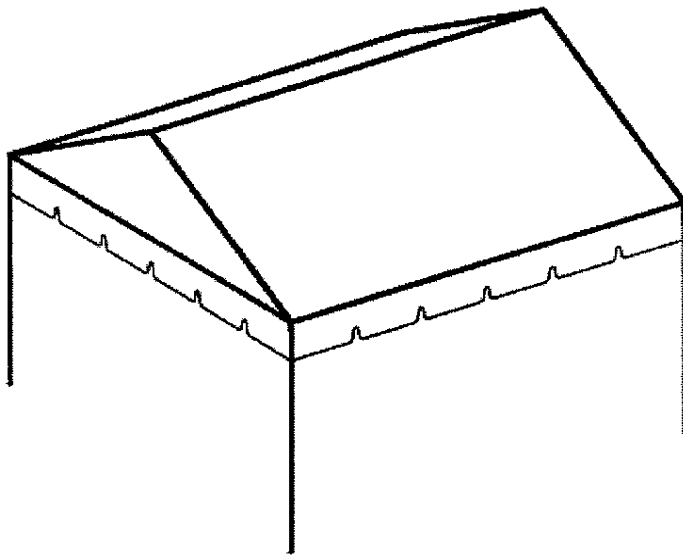


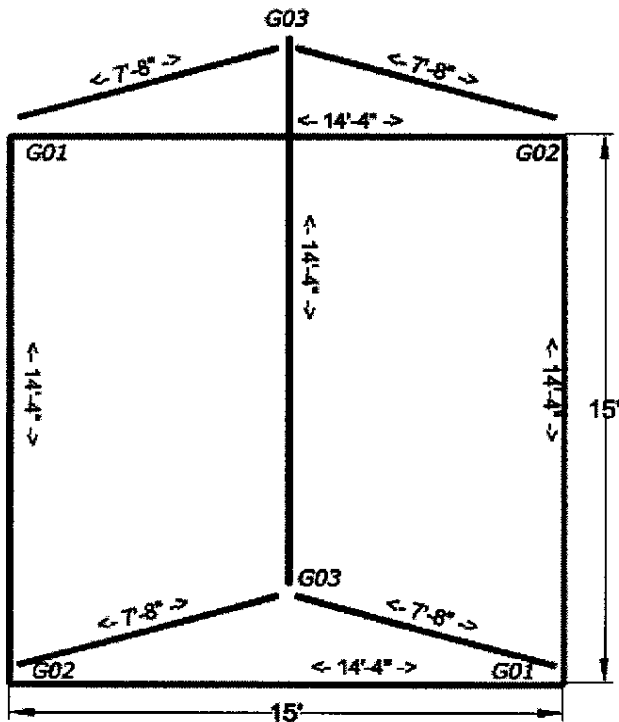
INTERNATIONAL TENT & EQUIPMENT MANUFACTURING, INC (757) 569-7970 Plant (757) 569-7980 Fax

15x15 Gable Frame Tent



Fittings		
2	Gable Left	G01
2	Gable Right	G02
2	Gable Crown	G03
26	Canopy Pins	P102

Poles		Color
5	14'4" Spreader	Red
4	7'8" Rafter	Black
4	7'8" Legs	Black



Frame Options	
2 in. Frame Standard	
D-Tube Heavy duty	

Tops Options	
White 13oz. Translucent	
White 15oz. Blackout	
Colors (Solid or stripe)	
Expand 3 Pcs.	

Accessories	
4	Base Plates
4	Corner Leg Braces
8	Ratchet ropes and Stakes (4 Minimum)
60	Feet—Sidewall

